



THE RINCON CLARA

The Rincon is our nautical offering, as reference to the famous surf break implies, and features a throwback stove top vent, large hooped handle and a traditional "x" cage. The Clara version has the cage removed for a more general look suitable for a wide range of settings. Hand forged in heavy gauge iron.

PRODUCT DETAIL

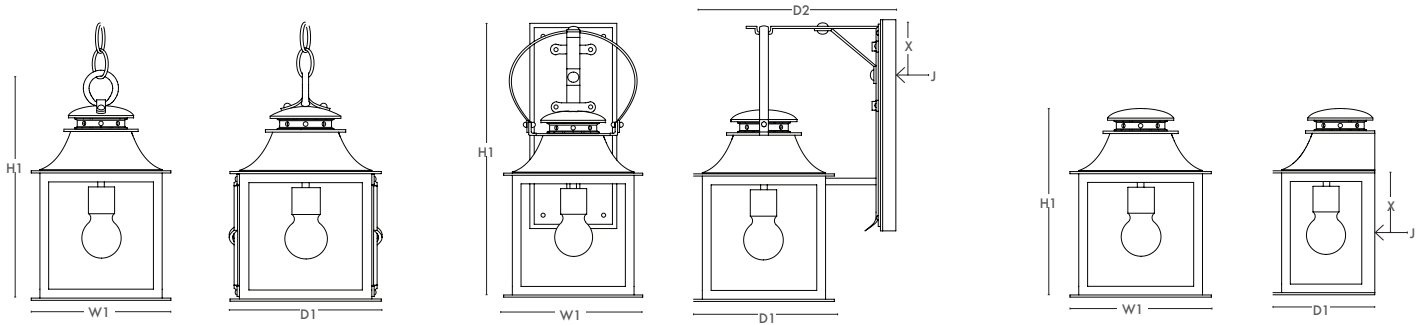
ETL Listed

Max Wattage: 60

High Efficacy Rated Optional

All lanterns ship within 6-8 weeks unless in stock and in some cases an expedited option is available with an additional charge. Please contact sales support or check online for lead times.

Shown in DLG Grey finish with DLG Clear glass



PENDANT DLG-17B-PD				ARM MOUNT DLG-17B-AM						FLUSH MOUNT DLG-17B-FM				
SIZE	H1	W1	D1	SIZE	H1	W1	D1	D2	X	SIZE	H1	W1	D1	X
STANDARD	13	8	8	SMALL	14	7	7	11	4.5	STANDARD	11	8	6	3.5
LARGE	15.25	9.75	9.75	STANDARD	16	8	8	11.5	4.5	LARGE	13.25	9.75	7.25	4.5
CANOPY: 5"				BACKPLATE: 5 X 9						J = LOCATION OF JUNCTION BOX CONNECTION				
				BACKPLATE: 5 X 12						J = LOCATION OF JUNCTION BOX CONNECTION				

AVAILABLE FINISH OPTIONS

STANDARD FINISHES

DLG GREY DLG BROWN

PREMIUM FINISHES

DLG ANTIQUE DLG DARK ZINC DLG OLD WORLD

AVAILABLE GLASS OPTIONS

STANDARD GLASS

DLG CLEAR DLG SEEDED

PREMIUM GLASS

DLG ANTIQUE DLG ETCHED DLG ICED

NOTES: ALSO AVAILABLE AS A POST MOUNT. PENDANT INCLUDES A 36" CHAIN AND A CANOPY. PLEASE INQUIRE FOR MORE DETAILS.

(All dimensions are in inches.)

