



# DLG LIGHTING<sup>CO</sup>

THE SANTA BARBARA LIGHTING COMPANY

## THE MIRAMAR

In the 1940's, the Miramar hotel became a coastal landmark, as the weekend getaway for Los Angelenos looking to escape the city. With it's cozy cottages and beachy clean appeal, the Miramar hotel had a simple style. Our Miramar lantern brings an updated feel to a classic craftsman look and would find itself at home not only on the coast, but in a mountain or ranch setting as well. Hand forged in heavy gauge iron.

### PRODUCT DETAIL

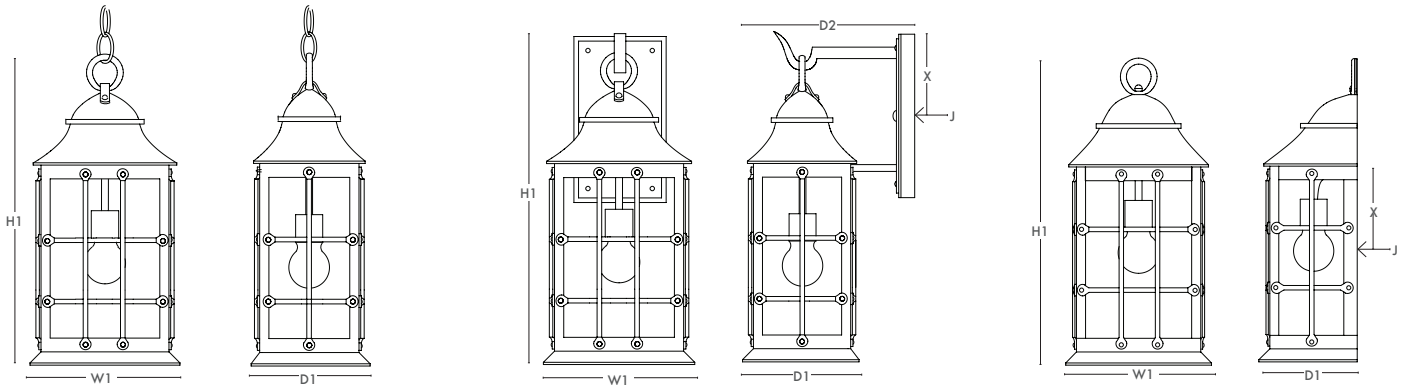
ETL Listed

Max Wattage: 60

High Efficacy Rated Optional

*All lanterns ship within 6-8 weeks unless in stock and in some cases an expedited option is available with an additional charge. Please contact sales support or check online for lead times.*

*Shown in DLG Grey finish with DLG Clear glass*



#### PENDANT | DLG-13A-PD

SIZE	H1	W1	D1
STANDARD	16.75	8.5	7.5
LARGE	20	10	9

CANOPY: 5"

#### ARM MOUNT | DLG-13A-AM

SIZE	H1	W1	D1	D2	X
SMALL	15.75	7	6	9.5	4.5
BACKPLATE: 5 X 9					
STANDARD	17.5	8.5	7.5	10	4.5
LARGE	21.25	10	9	10.5	6
BACKPLATE: 5 X 12 J = LOCATION OF JUNCTION BOX CONNECTION					

#### FLUSH MOUNT | DLG-13A-FM

SIZE	H1	W1	D1	X
STANDARD	16.75	8.5	5.5	5.5
LARGE	20	10	6.5	6.5

J = LOCATION OF JUNCTION BOX CONNECTION

#### AVAILABLE FINISH OPTIONS

##### STANDARD FINISHES

DLG GREY                      DLG BROWN

##### PREMIUM FINISHES

DLG ANTIQUE              DLG DARK ZINC              DLG OLD WORLD

#### AVAILABLE GLASS OPTIONS

##### STANDARD GLASS

DLG CLEAR                      DLG SEEDED

##### PREMIUM GLASS

DLG ANTIQUE              DLG ETCHED                      DLG ICED

NOTES: ALSO AVAILABLE AS A POST MOUNT. PENDANT INCLUDES A 36" CHAIN AND A CANOPY. PLEASE INQUIRE FOR MORE DETAILS.

(All dimensions are in inches.)

