



DLG LIGHTING^{CO}



THE DE LA GUERRA CLARA

Our De La Guerra lantern has Mediterranean style precedence with historic profiles and contemporized geometric lines. A striking fixture during the day but even more so at night when the patterned hem casts intricate shadows. The Clara, or clear, version has the crossbars removed, giving the lantern a lighter, more open feel. Hand forged in heavy gauge iron.

PRODUCT DETAIL

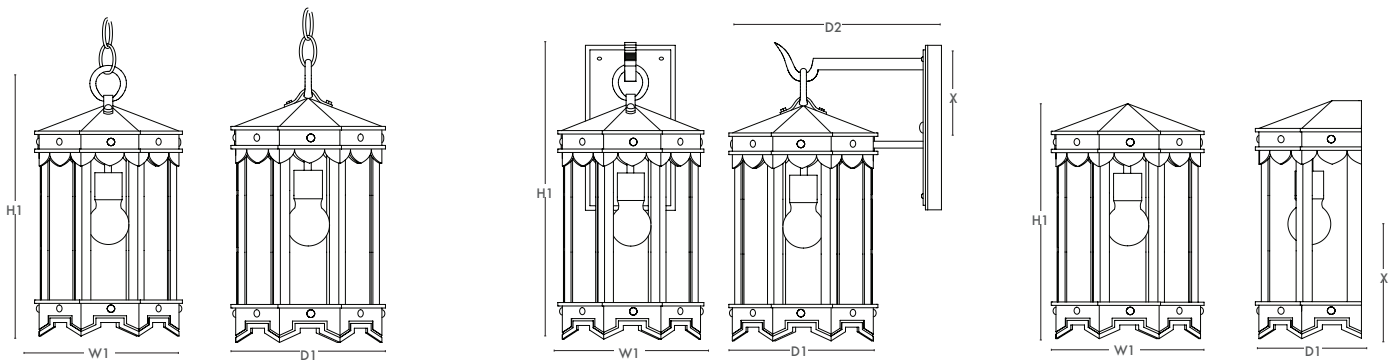
ETL Listed

Max Wattage: 60

High Efficacy Rated Optional

All lanterns ship within 4-6 weeks unless in stock and in some cases an expedited option is available with an additional charge. Please contact sales support or check online for lead times.

Shown in DLG Grey finish with DLG Clear glass



PENDANT DLG-5A-PD				ARM MOUNT DLG-5A-AM						FLUSH MOUNT DLG-5A-FM				
SIZE	H1	W1	D1	SIZE	H1	W1	D1	D2	X	SIZE	H1	W1	D1	X
STANDARD	15	7.75	7.75	SMALL	13.5	6.25	6.25	10.5	4.5	STANDARD	15	7.75	5.5	7.5
LARGE	17	8.75	8.75	STANDARD	15.75	7.75	7.75	11.5	4.5	LARGE	17	8.75	6.25	8.5
				LARGE	18	8.75	8.75	12	4.5					

CANOPY: 5" BACKPLATE: 5X9 X = LOCATION OF JUNCTION BOX CONNECTION

AVAILABLE FINISH OPTIONS

STANDARD FINISHES

DLG GREY DLG BROWN

PREMIUM FINISHES

DLG ANTIQUE DLG DARK ZINC DLG OLD WORLD

AVAILABLE GLASS OPTIONS

STANDARD GLASS

DLG CLEAR DLG SEEDED

PREMIUM GLASS

DLG ANTIQUE DLG ETCHED DLG ICED

NOTES: ALSO AVAILABLE AS A POST MOUNT. PENDANT INCLUDES A 36" CHAIN AND A CANOPY. PLEASE INQUIRE FOR MORE DETAILS.

