



# DLG LIGHTING<sup>CO</sup>

THE SANTA BARBARA LIGHTING COMPANY



## THE BRIDGEPORT

The Bridgeport references both old and new with classic features including a stove pipe top and oversized hoop, juxtaposed with modern lines and open glass panels. Hand forged in heavy gauge iron.

### PRODUCT DETAIL

ETL Listed

Max Wattage: 60

### AVAILABLE ENERGY & DESIGN CODE COMPLIANCE OPTIONS

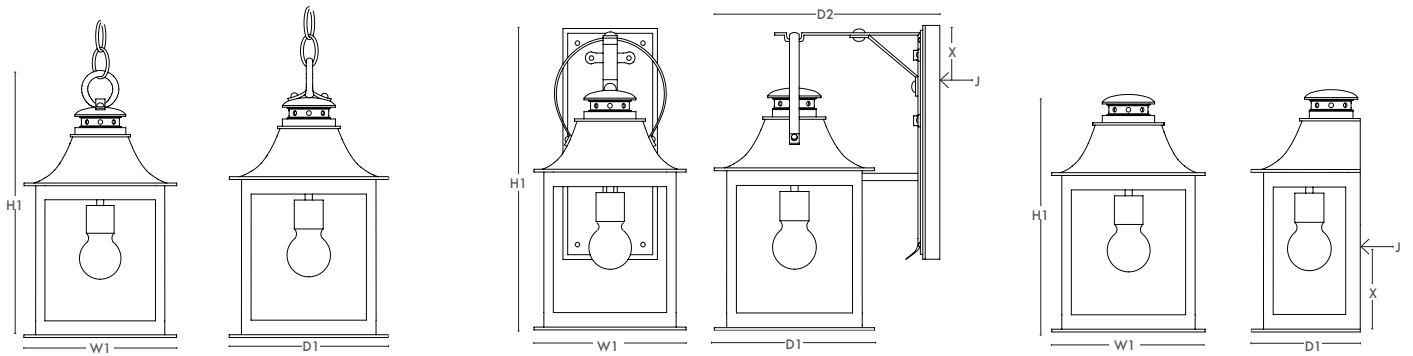
High Efficacy Rated - GU 24 Socket to comply with Title 24 High Efficacy Requirements.

Dark Sky Compliant - LED down light source located in Fixture Hood recommended with etched glass.

*All lanterns go through a metalizing process, a protective zinc layer added to ensure protection and durability against corrosion and harsh weather conditions.*

*All lanterns ship within 6-8 weeks unless in stock and in some cases an expedited option is available with an additional charge. Please contact sales support or check online for lead times.*

*All lanterns are handmade and made to order. Dimensions may vary slightly. Shown in DLG Grey finish with DLG Clear glass*



PENDANT   DLG-20B-PD				ARM MOUNT   DLG-20B-AM						FLUSH MOUNT   DLG-20B-FM				
SIZE	H1	W1	D1	SIZE	H1	W1	D1	D2	X	SIZE	H1	W1	D1	X
STANDARD	17.25	9	9	SMALL	16	8	8	11.75	4.5	STANDARD	15.25	9	6	4.5
LARGE	19.25	9.75	9.75	STANDARD	18	9	9	12	4.5	LARGE	17.25	9.75	7	5.25
CANOPY: 5"				BACKPLATE: 5 X 12 J = LOCATION OF JUNCTION BOX CONNECTION						J = LOCATION OF JUNCTION BOX CONNECTION				

### AVAILABLE FINISH OPTIONS

#### STANDARD FINISHES

DLG GREY                      DLG BROWN

#### PREMIUM FINISHES

DLG ANTIQUE              DLG DARK ZINC              DLG OLD WORLD

### AVAILABLE GLASS OPTIONS

#### STANDARD GLASS

DLG CLEAR                      DLG SEEDED

#### PREMIUM GLASS

DLG ANTIQUE              DLG ETCHED                      DLG ICED

NOTES: ALSO AVAILABLE AS A POST MOUNT. PENDANT INCLUDES A 36" CHAIN AND A CANOPY. PLEASE INQUIRE FOR MORE DETAILS.

(All dimensions are in inches.)

