

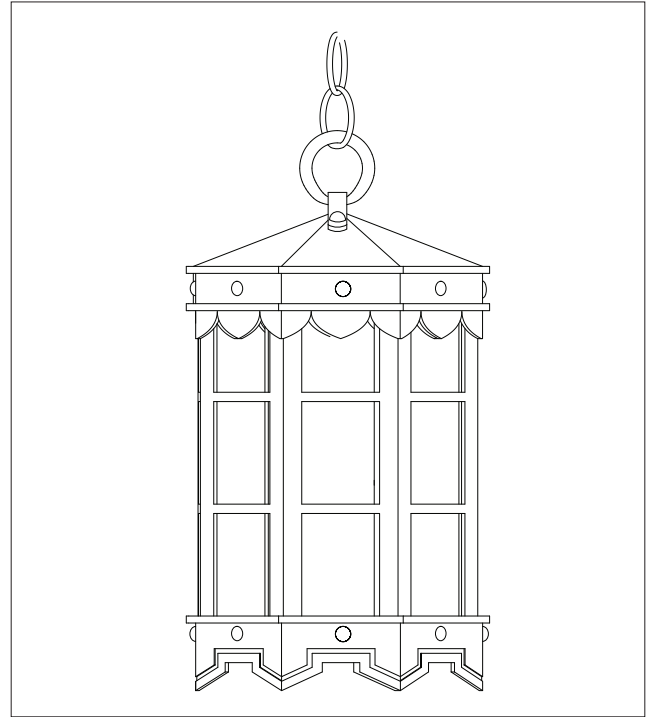


# THE DE LA GUERRA PENDANT

PLATINUM

## GENERAL INFORMATION

- This lantern is ETL listed. When installing lantern, conform to all applicable local electrical codes, ordinances, and the national electrical code (nec).
- For your safety and proper operation of lantern, read and understand all instructions completely before commencing installation of this lantern.
- Carefully unpack the lantern and inspect for damage.
- This product is rated for 3 15w candelabra bulbs (standard) and 4 15W candalabra bulbs (large).
- Save these instructions for future reference.



## CAUTION

This product should be installed only by a licensed electrician.

## WARNING

The electricity must be turned off at the main fuse box before installing this lantern.

## CARE INSTRUCTIONS

When exposed to the elements, wrought iron may rust and finishes fade, but occasional maintenance will keep your lights looking new. Wipe the fixture with a mild detergent and water mixture and let dry. Next use a clear car wax applied with a soft clothe and buff till the desired luster has been achieved.

DLG Lighting stands behind our workmanship and guarantees our products against any defect in craftsmanship or materials for one full year. Returns will not be accepted for any other reason. We are not liable for damage due to shipping or improper installation. See our website for further information regarding our warranty and returns.



DLG LIGHTING<sup>CO</sup>



# THE DE LA GUERRA PENDANT

## INSTALLATION AND CARE INSTRUCTIONS

### INSTALLATION INSTRUCTIONS

**STEP 1:** Shut off the main electrical supply to the junction box from the fuse box/circuit breaker

**STEP 2:** Locate junction box on ceiling and attach cross-bar provided to the junction box. Attach the provided threaded nipple and loop to the center of the cross bar.

**STEP 3:** Determine the desired height of the fixture from the finished floor and use enough of the chain provided to achieve the desired height. Attach one end of the chain to the fixture and feed the chain through the screw collar provided and then through the canopy provided. Attach the other end of the chain to the loop which should now be attached to the junction box.

**STEP 4:** Feed the wiring (including ground) through the fixture. Carefully thread the electrical assembly onto the fixture, ensuring that the electrical wire does not twist. continue to feed the wiring through the chain, through the threaded nipple and into the junction box.

**STEP 5:** Using the wire nuts provided, make electrical connections by following the electrical configuration table below. Ensure that all electrical connections are wrapped with UL-listed electrical tape. **IMPORTANT:** Never allow fixture to "hang" from electrical connections or to otherwise put pressure on the connections. The weight of the fixture should be supported by the chain and cross bar.

**STEP 6:** Slip the canopy against the ceiling and secure with the screw collar.

**STEP 7:** Install light bulb/s in fixture socket and restore power to the circuit

**STEP 8:** Confirm proper operation of the light fixture.

### ELECTRIC CONFIGURATION INSTRUCTIONS

Connect black or red (hot) house supply circuit to lantern black wire (hot)

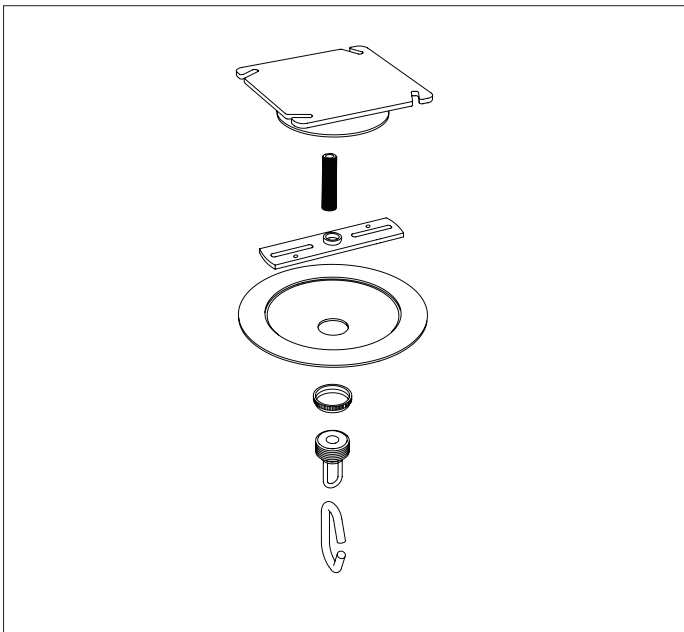
Connect white (neutral) house supply circuit wire to lantern white wire (neutral)

Connect green insulated or bare copper (ground-) house supply circuit wire and lantern bare standard wire (ground-) to green screw on crossbar.

**General Notes:** Use UL Listed wire nuts for the wiring Connections in this lantern. Wrap wire nut connections With UL Listed electrical tape.

For questions, please contact customer services at: (805) 770-7400

### MOUNTING DIAGRAM



### COMPONENTS PROVIDED FOR INSTALLATION

