



THE BILTMORE HOLROYD ARM MOUNT

DLG-16B

GENERAL INFORMATION

- This lantern is ETL listed. When installing lantern, conform to all applicable local electrical codes, ordinances, and the national electrical code (nec).
- For your safety and proper operation of lantern, read and understand all instructions completely before commencing installation of this lantern.
- Carefully unpack the lantern and inspect for damage.
- This product is rated one 60W medium base bulb max.
- Save these instructions for future reference.



CAUTION

This product should be installed only by a licensed electrician.

WARNING

The electricity must be turned off at the main fuse box before installing this lantern.

CARE INSTRUCTIONS

When exposed to the elements, wrought iron may rust and finishes fade, but occasional maintenance will keep your lights looking new. Wipe the fixture with a mild detergent and water mixture and let dry. Next use a clear car wax applied with a soft clothe and buff till the desired luster has been achieved.

DLG Lighting stands behind our workmanship and guarantees our products against any defect in craftsmanship or materials for one full year. Returns will not be accepted for any other reason. We are not liable for damage due to shipping or improper installation. See our website for further information regarding our warranty and returns.



DLG LIGHTING^{CO}



THE BILTMORE HOLROYD ARM MOUNT

INSTALLATION AND CARE INSTRUCTIONS

INSTALLATION INSTRUCTIONS

STEP 1: Shut off the main electrical supply to the junction box from the fuse box/circuit breaker

STEP 2: Locate junction box and attach cross-bar provided to the junction box.

STEP 3: Using the wire nuts provided, make electrical connections by following the electrical configuration instructions to the right.

STEP 4: Attach the fixture to the cross-bar using the threaded nipple and cap provided. Be careful to avoid scratching the finish on the fixture.

STEP 5: Install light bulb in fixture socket and restore power to the circuit.

STEP 6: Confirm proper operation of the light fixture.

ELECTRIC CONFIGURATION INSTRUCTIONS

Connect black or red (hot) house supply circuit to lantern black wire (hot)

Connect white (neutral) house supply circuit wire to lantern white wire (neutral)

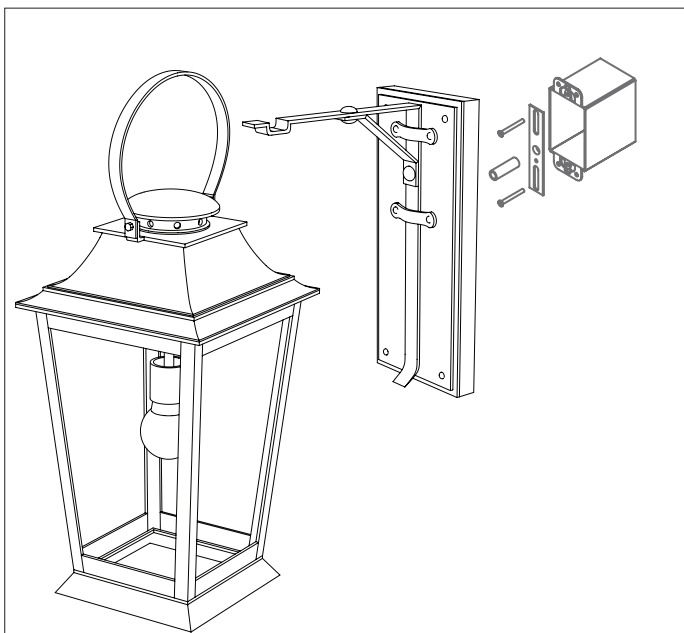
Connect green insulated or bare copper (ground-) house supply circuit wire and lantern bare standard wire (ground-) to green screw on crossbar.

General Notes: Use UL Listed wire nuts for the wiring Connections in this lantern. Wrap wire nut connections With UL Listed electrical tape.

It is recommended that a bead of clear silicon be applied to backplate were it touches the wall surface.

For questions, please contact customer services at: (805) 770-7400

MOUNTING DIAGRAM



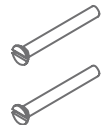
COMPONENTS PROVIDED FOR INSTALLATION



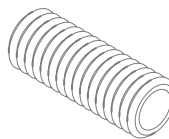
WIRE NUTS



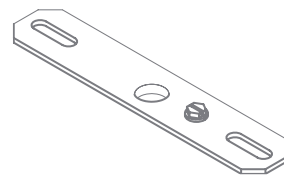
HALF BALL



SCREWS



NIPPLE



CROSS BAR



BULB